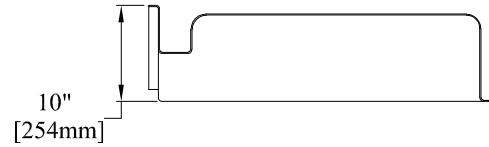
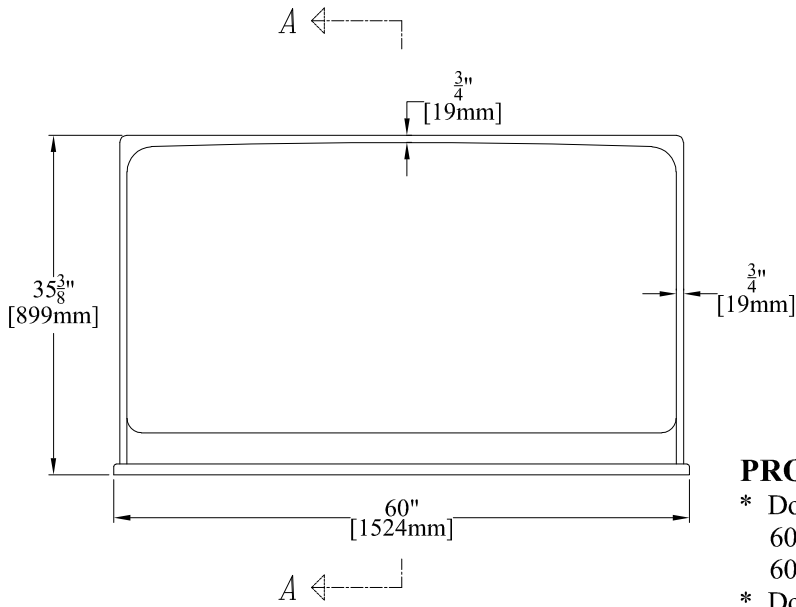


**ELEVATION**



**SECTION "A-A"**



**PLAN**

*60" [1524mm] Dome for Models  
5836LX/S, 5836RX/S, 6036LSD/S, 6036RSD/S,  
6036NS, 6036BF, 6036BFKD, 6036BF34,  
7936LX & 7936RX*

**PRODUCT SPECIFICATIONS:**

- \* Dome for Clarion Bathware models 5836LX/S, 5836RX/S, 6036LSD/S, 6036RSD/S, 6036NS, 6036BF, 6036BFKD, 6036BF34, 7936LX, & 7936RX.
- \* Dome will add 10" [254mm] to the overall rough-in height dimension for the unit with which it is installed
- \* All dimensions +/- 1/2" [12.8mm]
- \* Clarion Bathware reserves the right to change design and/or dimensions.

**IN60C**

**60" [1524mm] Dome for Model 5836LX/S, 5836RX/S, 6036LSD/S, 6036RSD/S, 6036NS, 6036BF, 6036BFKD, 6036BF34, 7936LX, & 7936RX**

 44 Amsler Ave. Shippenville, PA 16254	Phone: (814) 226-5374 Toll Free: (800) 576-9228 Fax: (814) 226-0730 www.clarionbathware.com	Signatures For Approval: _____ Date: _____	Dwg. # IN-60C
		Customer: _____ Arch./Engr: _____	
		Quote #: _____ Job Name: _____	Dwg. By: NMH DATE: 8/6/2018

**\*\*\* IMPORTANT NOTICE \*\*\***

Clarion Bathware reserves the right to change the design and/or dimensions of its products at any time. This drawing may have been updated since this publication was issued. Before placing an order for any product, refer to our website at [www.clarionbathware.com](http://www.clarionbathware.com) to obtain the most current drawings for any products that you wish to purchase. Compare the date of revision of the drawing that you have with the one on the drawing on our website. If you do not have internet access, please call your sales representative or Clarion Bathware's sales department at 1-800-576-9228.